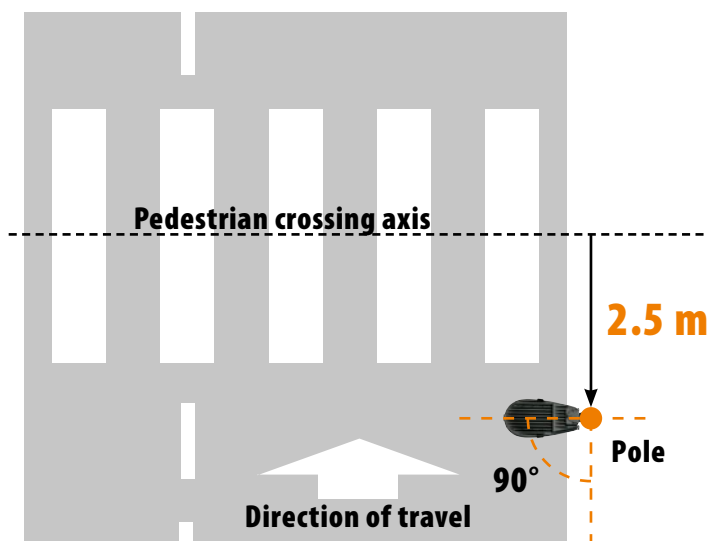


How to install the APL system



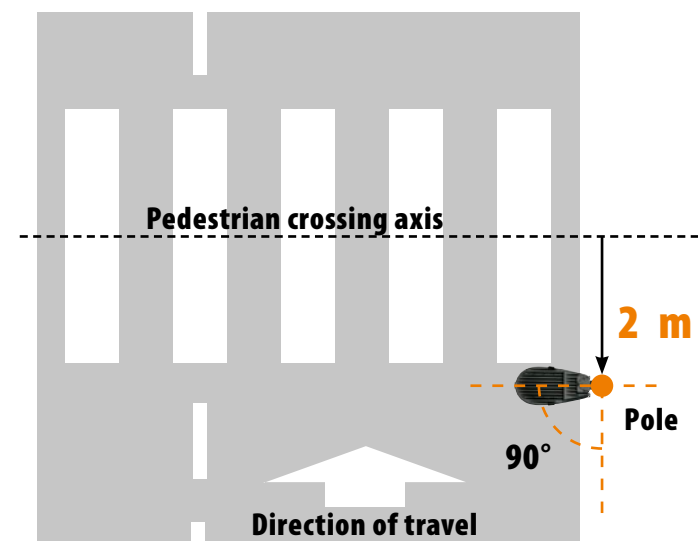
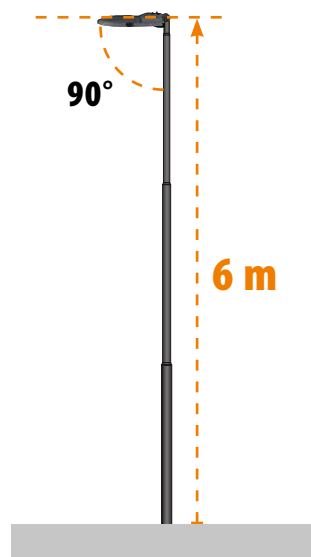
STRATOS N / P

16A2DX and 16A2SX optics are entirely dedicate to pedestrian crossing lighting.

Pedestrian safety can only be achieved illuminating both the horizontal and vertical plan.

Follow carefully the instructions below:

- **Mounting height: 6m**
- **LED luminaires positioning:**
The offset distance from the axis of the crossing must be 2,5m for both traffic directions, anticipating the pedestrian crossing from the driver's point of view
- **Frontal distance between the streetlights:**
15m maximum, 10m optimal.



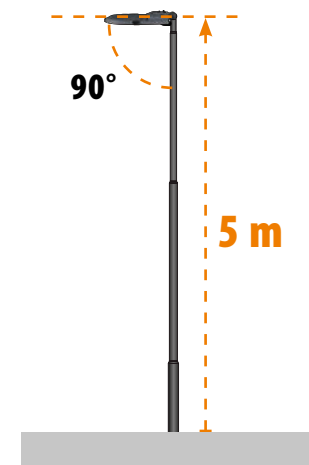
STRATOS N / P

16A2DX and 16A2SX optics are entirely dedicate to pedestrian crossing lighting.

Pedestrian safety can only be achieved illuminating both the horizontal and vertical plan.

Follow carefully the instructions below:

- **Mounting height: 5m**
- **LED luminaires positioning:**
The offset distance from the axis of the crossing must be 2m for both traffic directions, anticipating the pedestrian crossing from the driver's point of view
- **Frontal distance between the streetlights:**
13m maximum, 10m optimal.



How not to install the APL system

